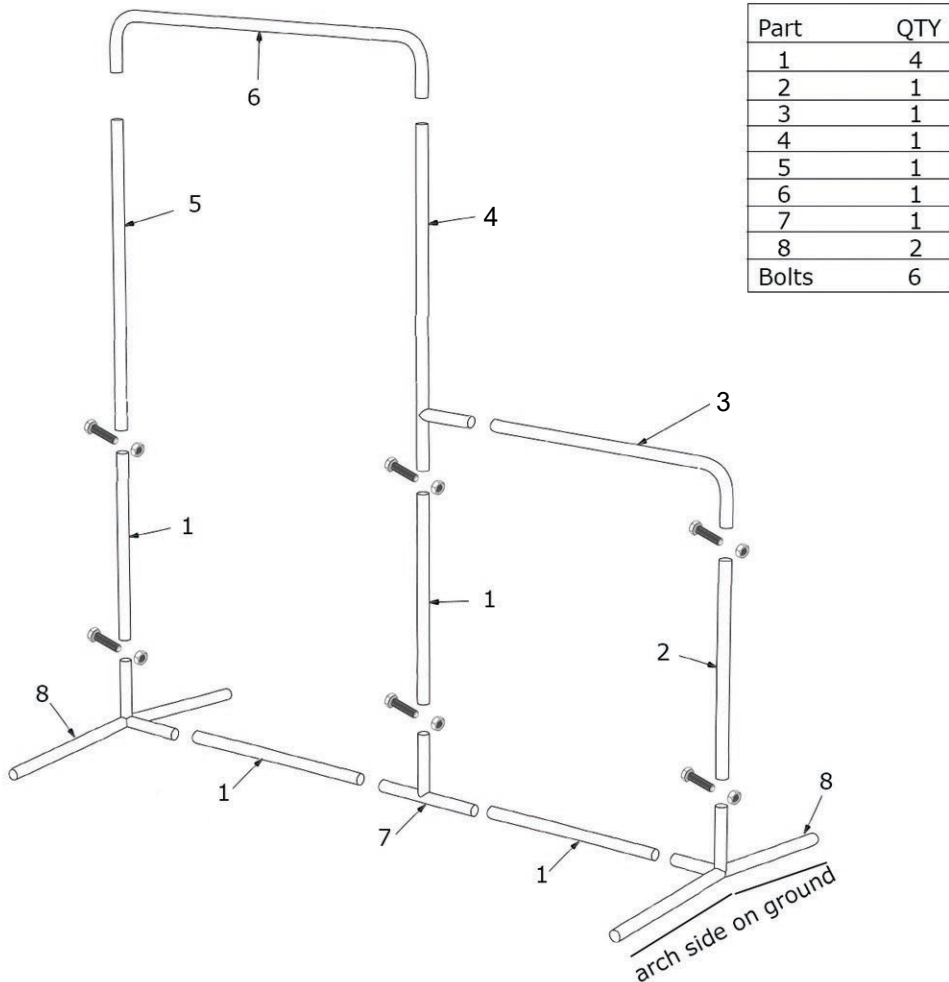




SELECT 7'x7' Commercial L-Frame

*You will have to use a rubber mallet to hammer down some joints

1. Lay out all pieces to make sure you have all the parts. Each pipe is numbered.
2. Assemble the frame from the ground up as per the illustration.
3. Insert bolts into holes located as shown and tighten with a wrench.
4. Slide net over frame like a pillowcase.



Part #8 has a slight arch. Arch should be positioned to set on the ground to accommodate uneven surfaces. Flip or turn it until you have it positioned correctly.