

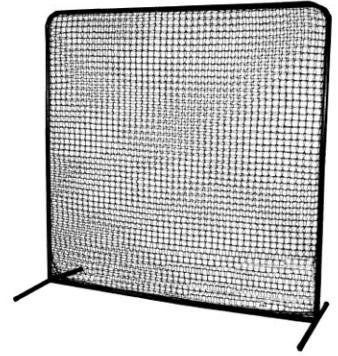
ACTION SPORTS

QUALITY BASEBALL AND GOLF PRODUCTS

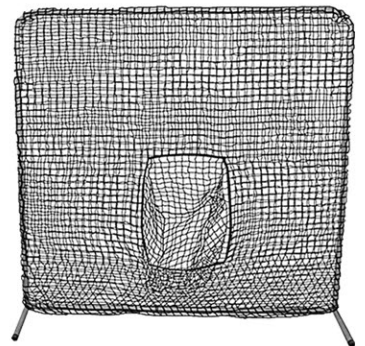
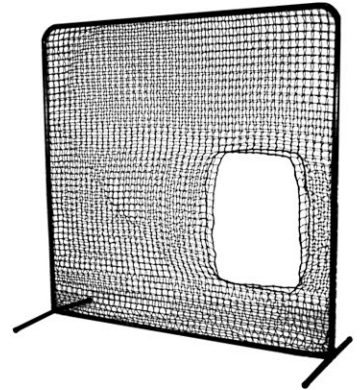
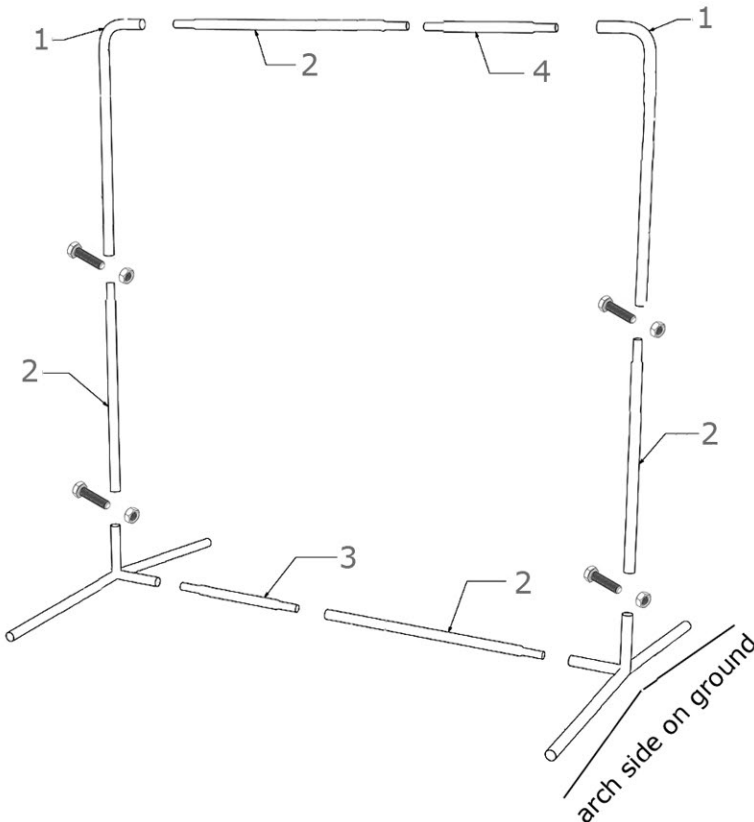
Commercial 7x7 Zone Screen

IMPORTANT: Please read directions thoroughly before assembling your Zone Screen.

1. Take all parts out of the box.
2. Lay out the frame and proceed to connect all of the pieces, as shown in the diagram. Make sure all the snap connectors snap together.
3. Insert bolts into holes located as shown and tighten with a wrench.
4. Lay out the net and slide it over the frame like a pillow case over a pillow. Pull the bottom rope tight and tie.



Part Number	Quantity
1	2
2	4
3	1
4	1
Bolts with Nuts	4
Ground Piece with Arch	2



*Bottom ground pieces have a slight arch. Arch should be positioned to set on the ground to accommodate uneven surfaces. Flip or turn it until you have it positioned correctly.